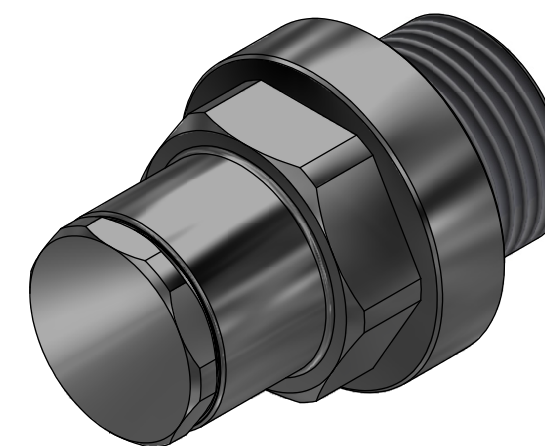


NOTE: 1
DESIGN CODE:
N/A

NOTE: 2
TECHNICAL CLASSIFICATION:
Article Type: 007-Valves
Main Group: 7.01. One Way Valves
Intermediate Group: 7.39.02. 3/8"
Sub Group: 7.39.88.01. 0-2 Bar

NOTE: 3
INTERFACE INFORMATION:
Pressure Rating Bar: 1,0
Material: Intervention
Weight: 0,1 kg
Volume: 0,01 dm³
Surface Area: 69 cm²
Hydraulic: 3/8" BSP
Mechanical: N/A
Electrical: N/A
Com. & Protocol: N/A

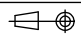
NOTE: 4
ADDITIONAL INFORMATION:
Cracking Pressure: Approx. 1,0bar
Seal Material: HNBR (Parker KB163-90)
Fluids: Mineral oils and water based control fluids
Temp Range: -30 °C /+100 °C
For other fluids, contact Blue Logic AS



Rev.	Date	Reason for issue	Revision change	Made	Chk'd	Appr.
01	18.6.2021	9-IFU (Issued for Use)		WTJ	HNJ	WTJ

BLUE LOGIC 

This Drawing is the Property of Blue Logic AS © and must Not be Loaned, Reproduced or Transferred to others without written Permission

Dwg Scale:	NTS
Dwg Proj:	
Dwg Format:	A3

Drawing title:	Relief Valve 1,0 Bar 3/8" BSP MP35N Spring	
Drawing number:	BB6509	Rev. 01